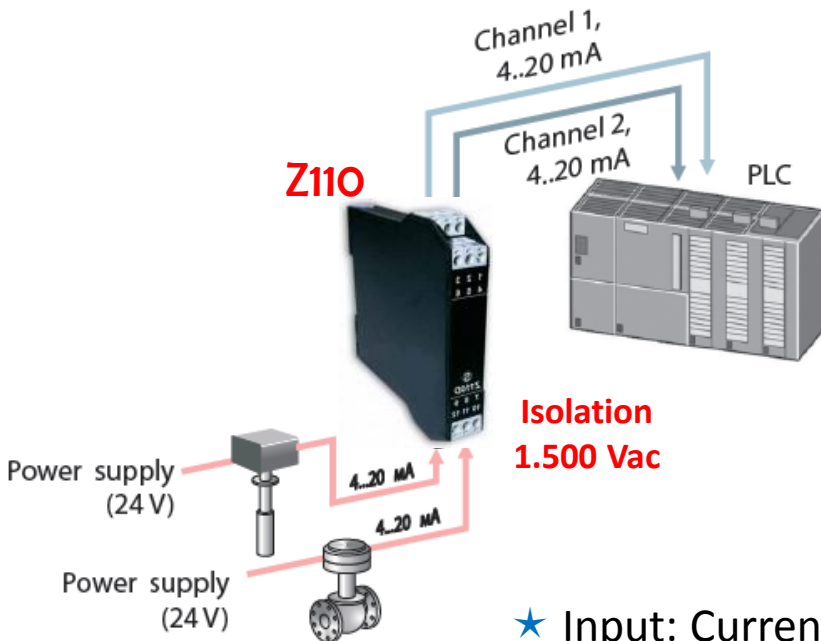
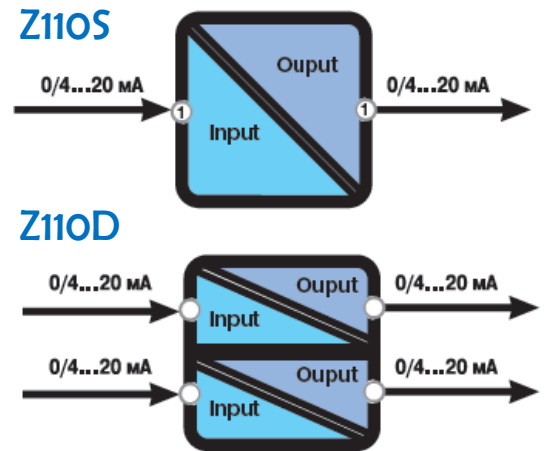


Z110

DC Current Isolator (Self-Powered)

This product is available in two different version: Z110S (single channel) or Z110D (double channel)



★ Input: Current 4..20 mA

★ Output: Current 4..20 mA

★ Power supply: Self powered on input