

Z109PT2

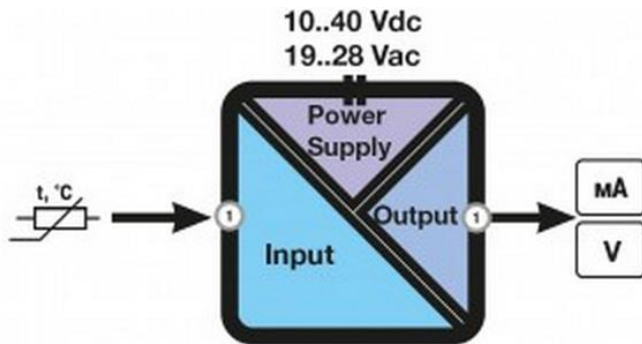
RTD to DC current / voltage isolator converter

► **Input:**

RTD (Ni100, Pt100, Pt500, Pt1000, Ni100)

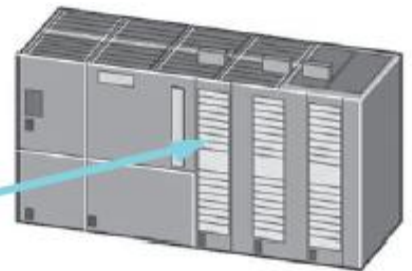
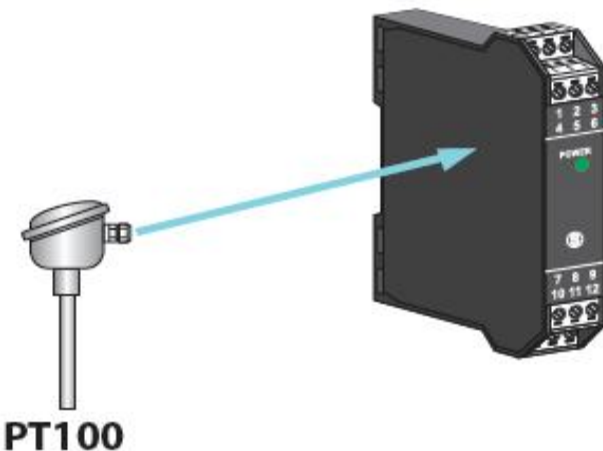
► **Output:**

- Voltage: 0..5 / 0..10 / 1..5 / 2..10 V
- Current: 0..20 / 4..20 mA



► **Power supply:**

9..40 Vdc, 19-28 Vac
50-60 Hz



Accuracy: 0,1%