



Level



Pressure



Flow



Temperature



Liquid Analysis



Registration



Systems Components



Services



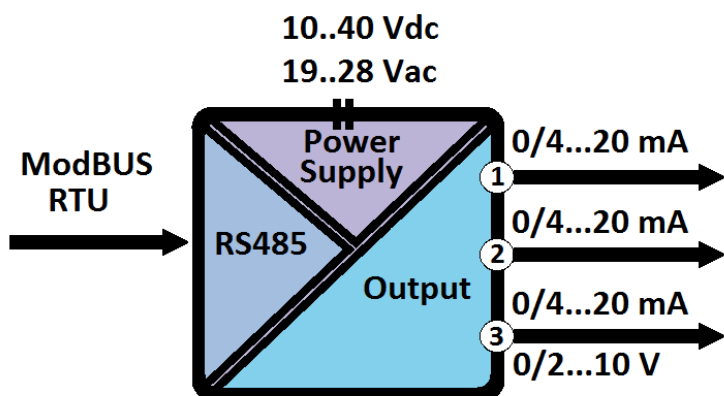
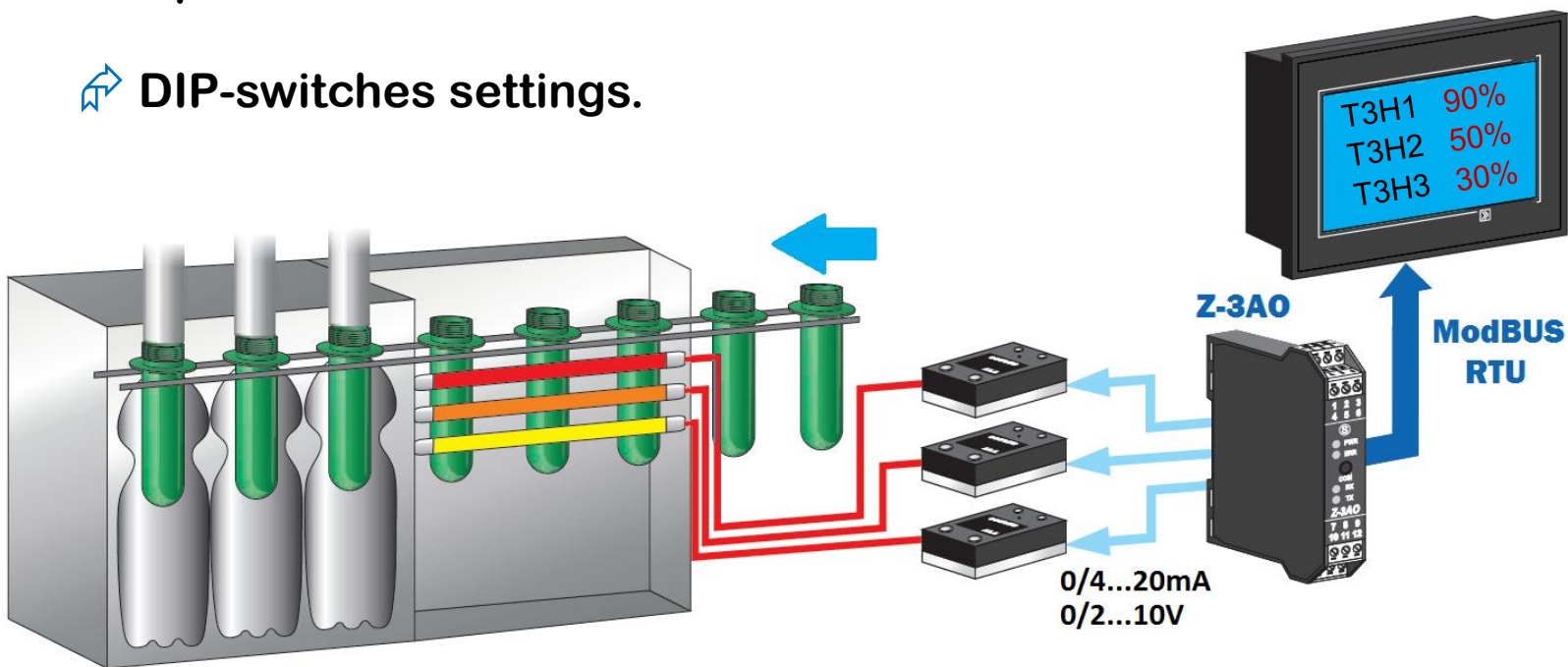
Solutions

## Z-3AO

# Analog Outputs From ModBUS

3 current or voltage analog outputs with 12 bit resolution.

DIP-switches settings.



Connection distance up to 1200m.

Operating Temperature: -10..+65 °C.

Isolation 1.500 Vac (3 way)