

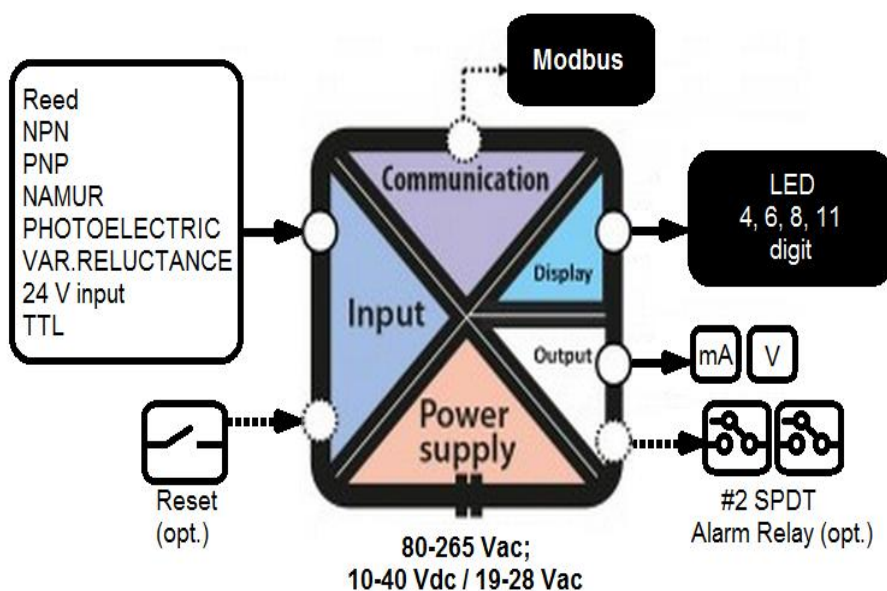
Frequency / Digital Input Indicator-Totalizer

Input:

- REED, NPN, PNP, NAMUR, PHOTOELECTRIC, VAR RELUCTANCE, 24 V PULSE, TTL

Power supply:

- 80 ... 265 Vac
- 10 ... 40 Vdc / 19-28 Vac



Software / settings:

- Parameters, Alarms, Signals, Timeout, Reset, Trips

Output:

- 0-10 V
- 0-20 / 4-20 mA